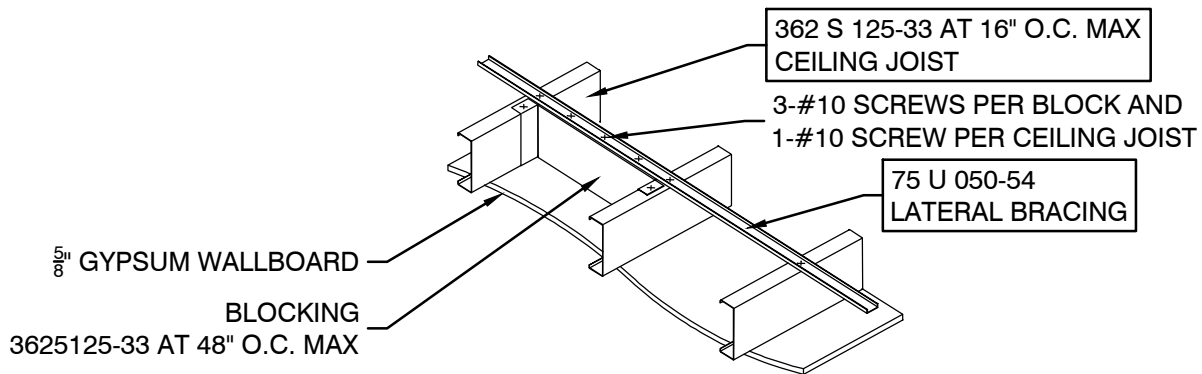


**TYPICAL HARD LID CEILING
(COLD FORMED STEEL)**

NOTES:

- ① IF WEB PUNCHOUTS OCCUR NEAR SUPPORTS, MEMBERS MUST BE CHECKED FOR REDUCED SHEAR AND WEB CRIPPLING IN ACCORDANCE WITH THE AISI S100 I.E. THIS DETAIL IS NOT ALLOWED TO BE USED WITHOUT INDEPENDENT DESIGN/EVALUATION.
- ② CEILING ASSEMBLY IS DESIGNED AS A NON-LOAD BEARING ASSEMBLY I.E. IT IS ONLY DESIGNED TO SUPPORT ITS OWN ASSEMBLY WEIGHT
- ③ WEB CRIPPLING IS BASED ON 1" OF BEARING AT END OF SUPPORTS



CEILING (NTS.)

BUILDING & SAFETY

PLANS EXAMINATION DIVISION

DATE: 09/22/2022

DRAWN BY: NM

SHEET: 1 OF 1

**TYPICAL HARD LID CEILING
(COLD FORMED STEEL)**

**TYPICAL DRAWING
CITY OF LAS VEGAS**

