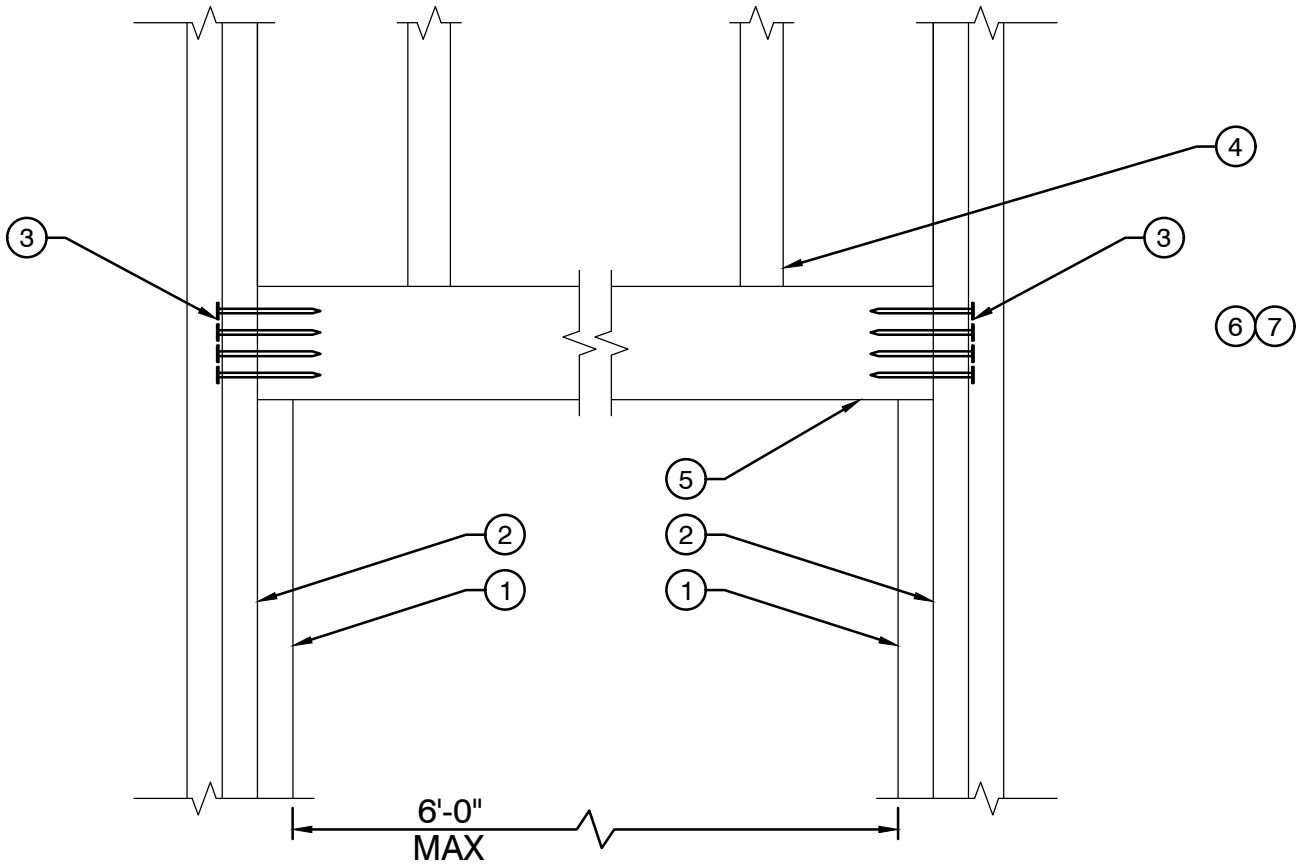


**SCALE**  
NTS



**CONSTRUCTION NOTES:**

- ① 2x DOUGLAS FIR LARCH #2 TRIMMER
- ② 2-2x DOUGLAS FIR LARCH #2 KING STUDS
- ③ FACE NAIL KING STUD TO HEADER WITH 4-16d NAILS SPACED AT 3" O.C. MINIMUM
- ④ 2x DOUGLAS FIR LARCH #2 STUDS AT 16" O.C.
- ⑤ 6 x 6 DOUGLAS FIR LARCH #2 HEADER IN 2X6 WALL OR 4X6 DOUGLAS FIR LARCH #2 HEADER IN 2X4 WALL (LONG LEG VERTICAL)

**GENERAL NOTES:**

- ⑥ 2x DOUGLAS FIR LARCH #2 STUDS AT 16" O.C.
- ⑦ ALL NAILING PER 2018 INTERNATIONAL BUILDING CODE TABLE 2304.10.1 FASTENING SCHEDULE

C:\USERS\JED\MANION\ONEDRIVE - CITY OF LAS VEGAS\DESKTOP\BS FOLDER\NON-BEARING PARTITION WALL OPENING UP TO 6'.DWG  
9/28/22

**BUILDING & SAFETY**

PLANS EXAMINATION DIVISION

DATE: 09/22/2022

DRAWN BY: NM

SHEET: 1 OF 1



**NON-BEARING WOOD PARTITION WALL  
OPENING UP TO 6'-0" (WOOD)**

**TYPICAL DRAWING  
CITY OF LAS VEGAS**