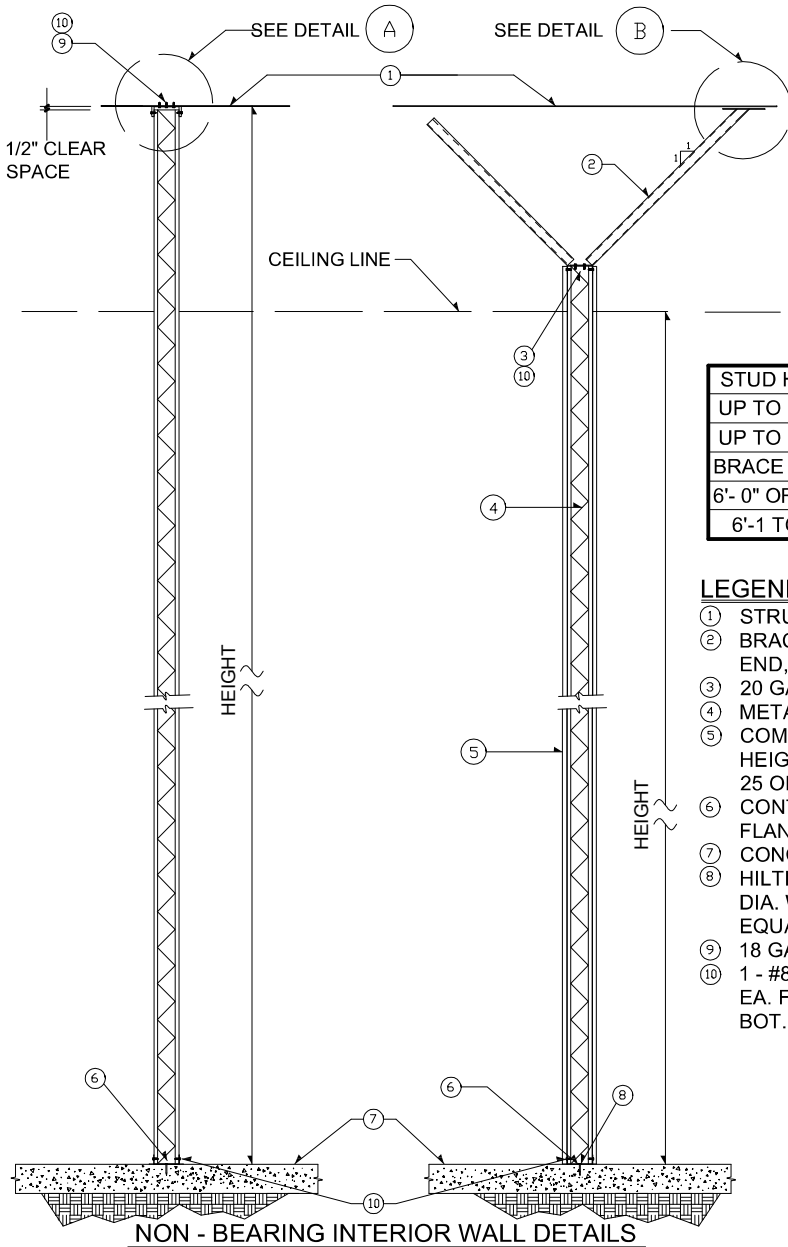


NON - BEARING STEEL STUD WALL PARTITION DETAIL TO CONCRETE DECK (2012 IBC)



STUD HEIGHT	METAL STUD SIZE & SPACING
UP TO 12'-0"	362S125-18 @ 24" O.C.
UP TO 18'-0"	362S125-33 @ 24" O.C.
BRACE LENGTH	SIZE
6'- 0" OR UNDER	362S125-18
6'-1 TO 8'- 0"	362S137-33

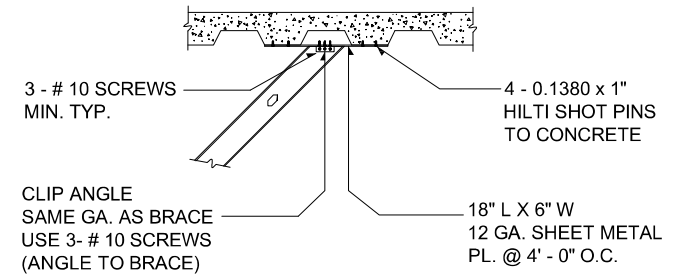
LEGEND:

- ① STRUCTURAL MEMBER ABOVE
- ② BRACING @ 4'-0" O.C. STAGGERED W/ 3 #10 EA. END, U. N. O.
- ③ 20 GA. CONT. TRACK
- ④ METAL STUDS (SEE SCHEDULE)
- ⑤ COMPOSITE WALL SHEATHED BOTH SIDES FULL HEIGHT W/ GYPSUM WALL BOARD PER CHAPTER 25 OF 2012 IBC
- ⑥ CONT. 20 GA. UNPUNCHED TRACK (1 5/16" FLANGE)
- ⑦ CONCRETE SLAB
- ⑧ HILTI POWDER ACTUATED FASTENER X-U 0.157 DIA. WITH MIN. 1" PENETRATION @ 32" O.C. OR EQUAL (ICC ESR-2269)
- ⑨ 18 GA. UNPUNCHED 2 1/2" DEEP LEG SLOTTED
- ⑩ 1 - #8 SCREW PER STUD TYPICAL CONNECTION EA. FLANGE OF STUD TO STEEL TRACK (TOP & BOT. TRACK)

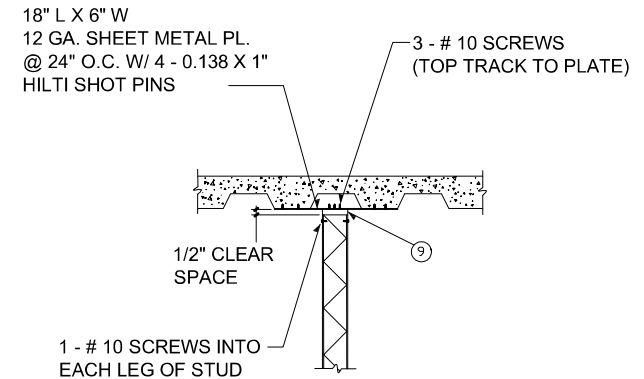
NON - BEARING INTERIOR WALL DETAILS

NOTES:

- 1) STUDS BRACED BY GYPSUM WALL BOARD EA. SIDE.
- 2) 5 PSF MAX. LATERAL LOAD.
- 3) F_y (MIN.) = 33 KSI.
- 4) $L/120$ DEFLECTION LIMIT.
- 5) FOR $H > 18' - 0"$ AND BRACING $> 8' - 0"$, SUBMIT ENGINEERING DESIGN AND DETAILS.
- 6) THE DETAILS SHOWN ARE INTENDED TO SERVE AS A GUIDE ONLY. THE DESIGN PROFESSIONAL MAY SUBMIT ALTERNATE DESIGN AND DETAILS THAT COMPLY WITH THE 2012 IBC.
- 7) NOT APPLICABLE TO SHEAR WALLS.
- 8) SEE ARCHITECTURAL REQUIREMENTS FOR RATED WALLS.



DETAIL B



DETAIL A