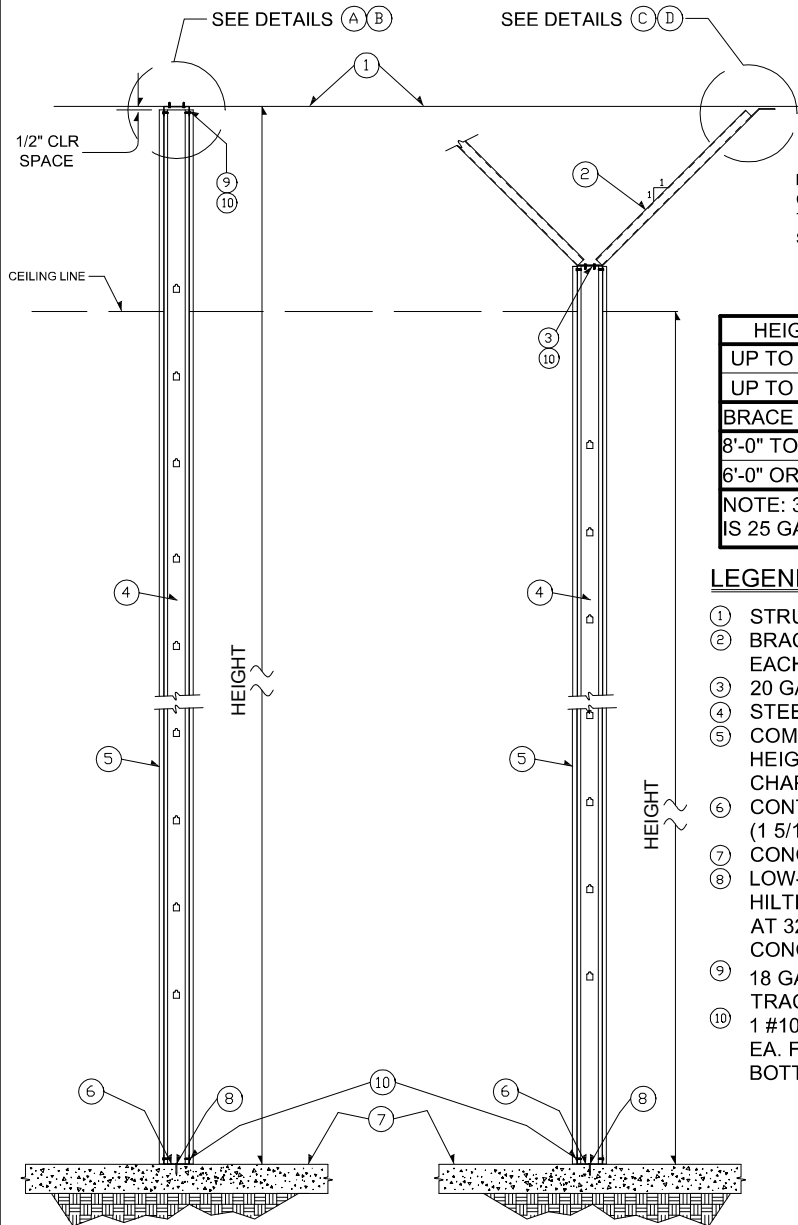


# NON - BEARING STEEL STUD WALL PARTITION DETAIL - TO WOOD (2012 IBC):



**NON - BEARING INTERIOR WALL DETAILS**

**NOTES:**

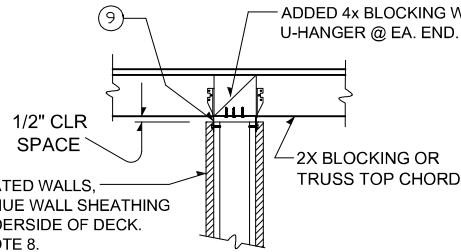
- 1) STUDS BRACED BY GYPSUM WALLBOARD EACH SIDE. MAXIMUM SCREW SPACING SHALL NOT EXCEED 12" O.C.
- 2) 5 POUNDS PER SQUARE FOOT MAX. LATERAL LOAD.
- 3)  $F_y$  (MIN.) = 33 KSI.
- 4) DEFLECTION LIMIT:  $L/120$
- 5) FOR  $H > 18' - 0"$  AND BRACING  $> 8' - 0"$  SUBMIT ENGINEERING DESIGN AND DETAILS.
- 6) THE DETAILS SHOWN ARE INTENDED TO SERVE AS A GUIDE ONLY. THE DESIGN PROFESSIONAL MAY SUBMIT AN ALTERNATE DESIGN AND DETAILS THAT COMPLY WITH THE 2012 IBC.
- 7) NOT APPLICABLE TO SHEAR WALLS.
- 8) SEE ARCHITECTURAL REQUIREMENTS FOR RATED WALLS.

HEIGHT	METAL STUD SIZE & SPACING:
UP TO 18'-0"	362S125-33 at 24" O.C.
UP TO 12'-0"	362S125-18 at 24" O.C.
BRACE LENGTH	BRACE SIZE
8'-0" TO 6'-1"	362S162-33
6'-0" OR UNDER	362S125-18

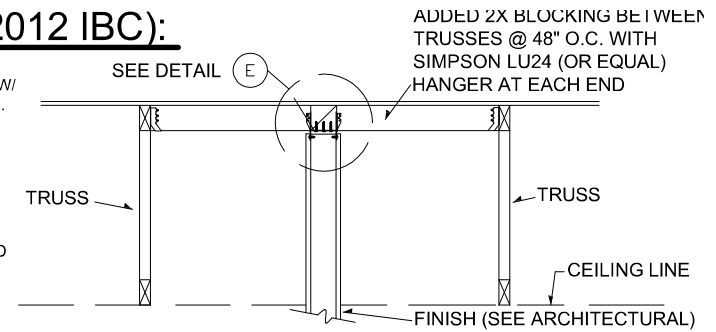
NOTE: 33 MILS IS 20 GAUGE AND 18 MILS IS 25 GAUGE.

**LEGEND:**

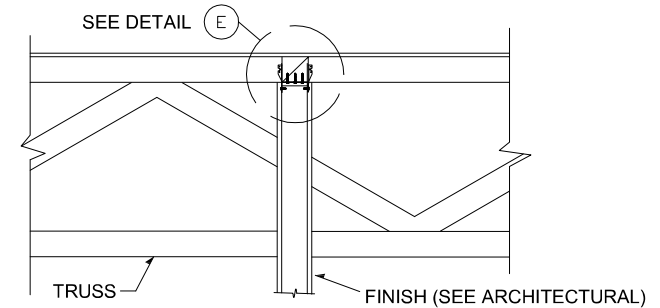
- ① STRUCTURAL MEMBER ABOVE
- ② BRACING AT 4'-0" O.C. STAGGERED W/ 3 ~ #10 EACH END
- ③ 20 GAUGE CONTINUOUS TRACK
- ④ STEEL STUDS (SEE SCHEDULE)
- ⑤ COMPOSITE WALL SHEATED BOTH SIDES FULL HEIGHT WITH GYPSUM WALLBOARD MIN. PER CHAPTER 25 OF 2012 IBC
- ⑥ CONTINUOUS 20 GAUGE UNPUNCHED TRACK (1 5/16" FLANGE)
- ⑦ CONCRETE SLAB
- ⑧ LOW-VELOCITY POWDER ACTUATED FASTENERS HILTI X-U: 0.157" (1" MIN. EMBEDMENT) SPACED AT 32" O.C. (ESR-2269) (MIN. 2000 PSI CONCRETE) (OR EQUAL FASTENERS)
- ⑨ 18 GAGE UNPUNCHED 2 1/2" DEEP LEG SLOTTED TRACK W/ 3 #10 SCREWS TO BLOCKING
- ⑩ 1 #10 SCREW PER STUD TYPICAL CONNECTION EA. FLANGE OF STUD TO STEEL TRACK (TOP & BOTTOM TRACK)



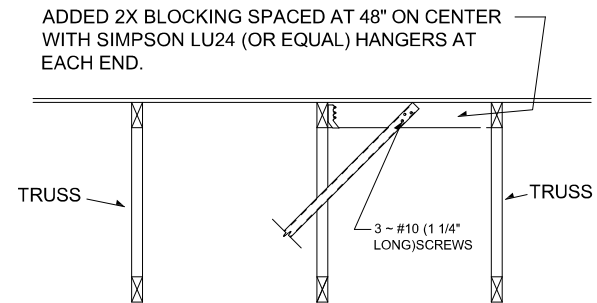
**(E) ENLARGED DETAIL**



**(A) WALL PARALLEL TO WOOD TRUSSES**

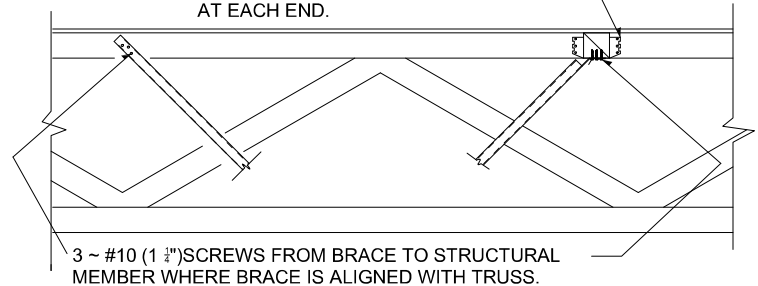


**(B) WALL PERPENDICULAR TO WOOD TRUSSES**



**(C) WALL PARALLEL TO WOOD TRUSSES**

WHERE BRACE IS BETWEEN TRUSSES PROVIDE 4X BLOCKING WITH SIMPSON U44 FACE MOUNT HANGER (OR EQUAL) AT EACH END.



**(D) WALL PERPENDICULAR TO WOOD TRUSSES**