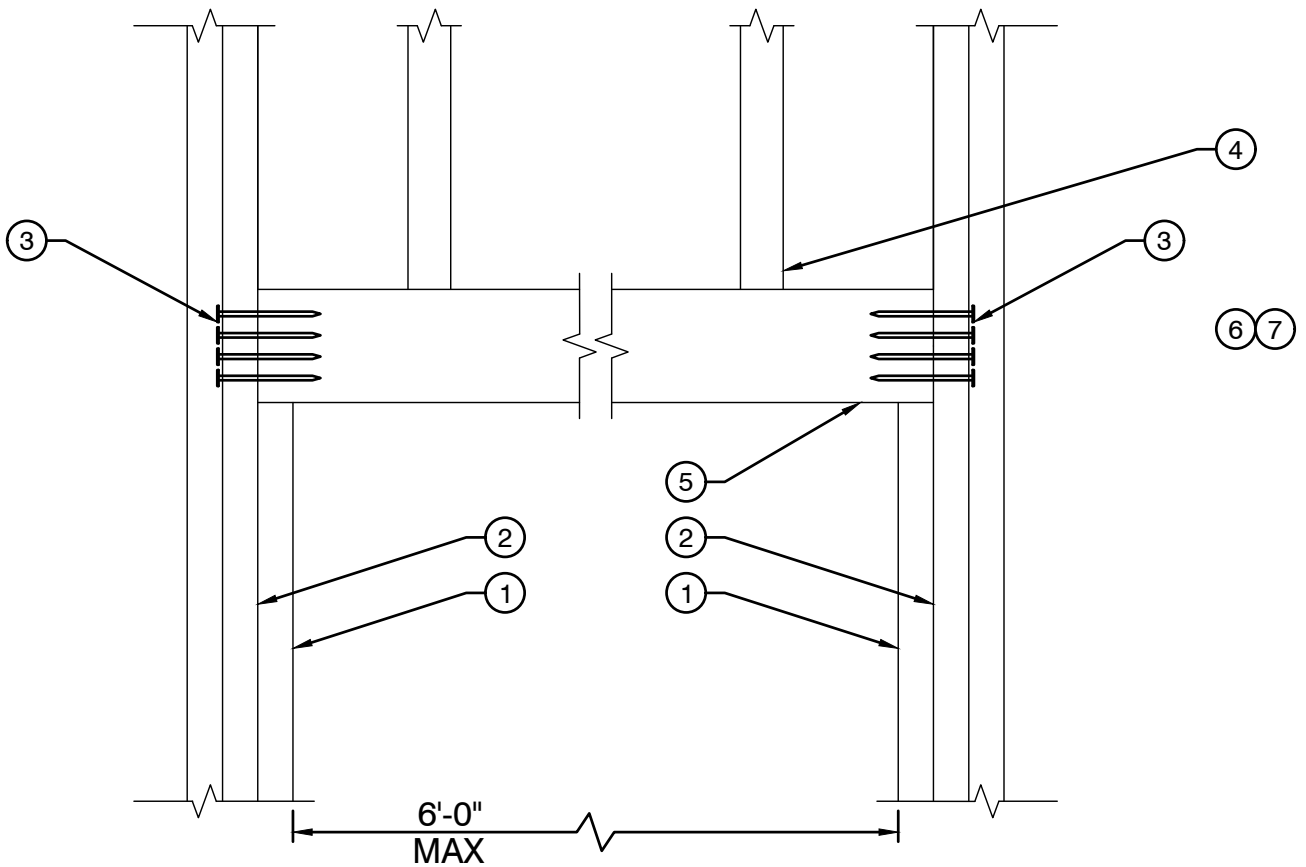


SCALE
NTS



CONSTRUCTION NOTES:

- ① 2x DOUGLAS FIR LARCH #2 TRIMMER
- ② 2-2x DOUGLAS FIR LARCH #2 KING STUDS
- ③ FACE NAIL KING STUD TO HEADER WITH 4-16d NAILS SPACED AT 3" O.C. MINIMUM
- ④ 2x DOUGLAS FIR LARCH #2 STUDS AT 16" O.C.
- ⑤ 6 x 6 DOUGLAS FIR LARCH #2 HEADER IN 2X6 WALL OR 4X6 DOUGLAS FIR LARCH #2 HEADER IN 2X4 WALL (LONG LEG VERTICAL)

GENERAL NOTES:

- ⑥ 2x DOUGLAS FIR LARCH #2 STUDS AT 16" O.C.
- ⑦ ALL NAILING PER 2018 INTERNATIONAL BUILDING CODE TABLE 2304.10.1 FASTENING SCHEDULE

BUILDING & SAFETY

PLANS EXAMINATION DIVISION

DATE: 10/12/2022

DRAWN BY: NM

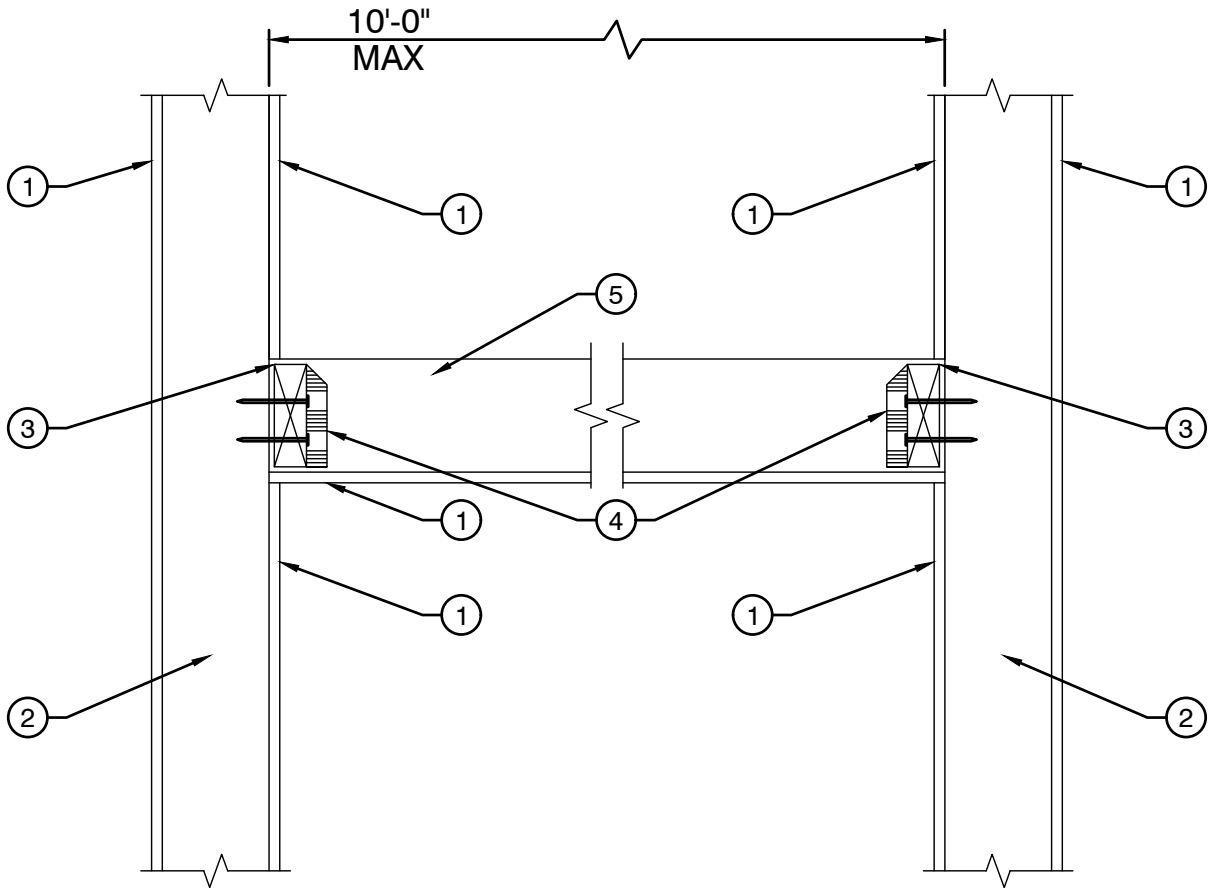
SHEET: 1 OF 2

**NON-BEARING WOOD PARTITION WALL
OPENING UP TO 6'-0" (WOOD)**

**TYPICAL DRAWING
CITY OF LAS VEGAS**



SCALE
NTS



NOTES:

- ① 1/2" OR 5/8" GYPSUM WALL BOARD
- ② 2x DOUGLAS FIR LARCH #2 AT 16" O.C. FOR ALL OTHER DESIGN REQUIREMENTS SEE CITY'S STANDARD DESIGN FOR NON-BEARING WOOD STUD PARTITION DETAIL (NOTE: MAXIMUM 2x DOUGLAS FIR LARCH #2 SPACING IS AT 16" O.C.)
- ③ 2x6 DOUGLAS FIR LARCH #2 LEDGER WITH 2-16d NAILS PER STUD
- ④ SIMPSON LUS26 (OR EQUAL) INSTALLED PER EVALUATION REPORT AND MANUFACTURER'S REQUIREMENTS
- ⑤ 2x6 DOUGLAS FIR LARCH #2 CEILING JOIST AT 16" O.C. (LONG LEG VERTICAL)

BUILDING & SAFETY

PLANS EXAMINATION DIVISION

DATE: 10/12/2022

DRAWN BY: NM

SHEET: 2 OF 2

TYPICAL HARD LID CEILING (WOOD)

**TYPICAL DRAWING
CITY OF LAS VEGAS**

