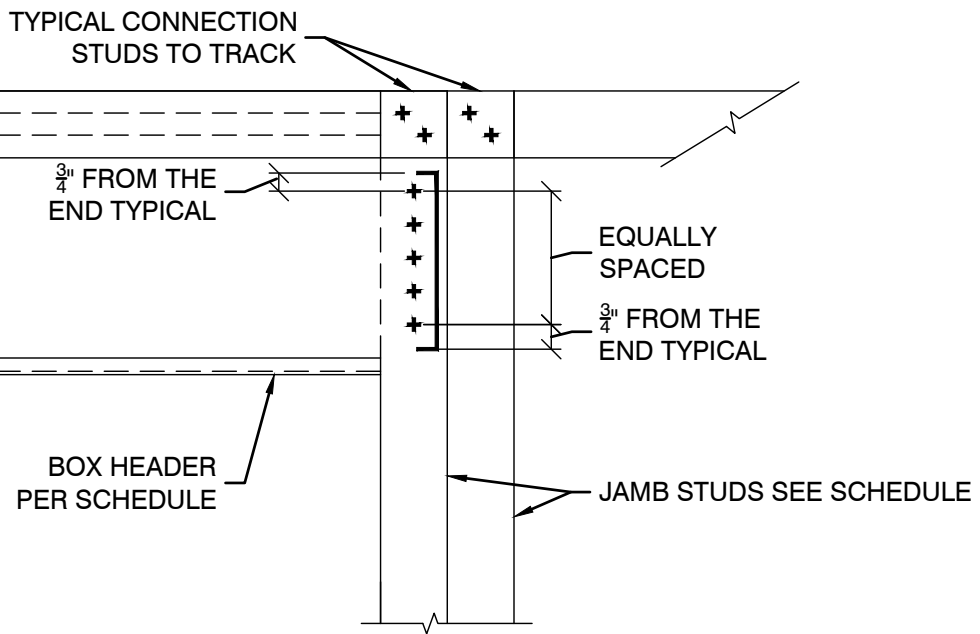


BOX HEADER (NTS.)

OPENING HEADER AND JAMB SCHEDULE FOR INTERIOR NON-LOAD BEARING WALLS/PARTITIONS ONLY			
OPENING SIZE	BOX HEADER	NUMBER OF SCREWS	NUMBER OF JAMB STUDS INCLUDING CRIPPLE
UP TO 6'-0"	2-600 S162-S4	7-#10	3



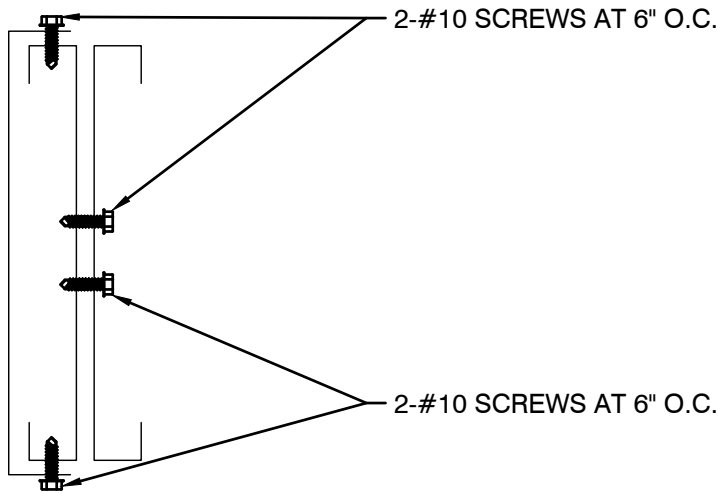
BOX HEADER SUPPORT (NTS.)

C:\USERS\JELMAN\ONEDRIVE - CITY OF LAS VEGAS\DESKTOP\BS FOLDER\STEEL BOX HEADER.DWG 10/12/22

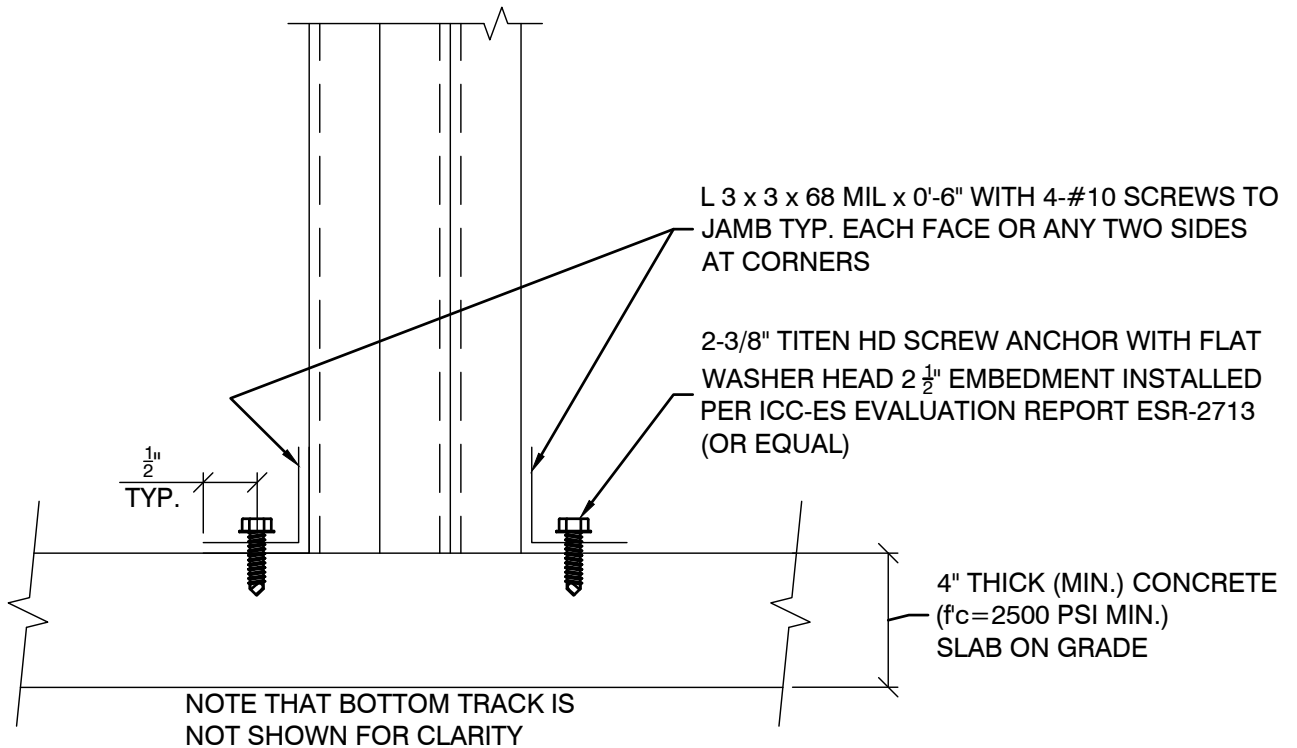
BUILDING & SAFETY
 PLANS EXAMINATION DIVISION
 DATE: 10/12/2022 DRAWN BY: NM
 SHEET: 1 OF 3

**BOX HEADER AND SUPPORT
 (COLD FORMED STEEL)**
**TYPICAL DRAWING
 CITY OF LAS VEGAS**





STUD BOX JAMB (NTS.)



TYPICAL JAMB BASE CONNECTION (NTS.)

C:\USERS\JED\MANION\DRIVE - CITY OF LAS VEGAS\DESKTOP\BS FOLDER\STEEL BOX HEADER.DWG 10/12/22

BUILDING & SAFETY

PLANS EXAMINATION DIVISION

DATE: 10/12/2022

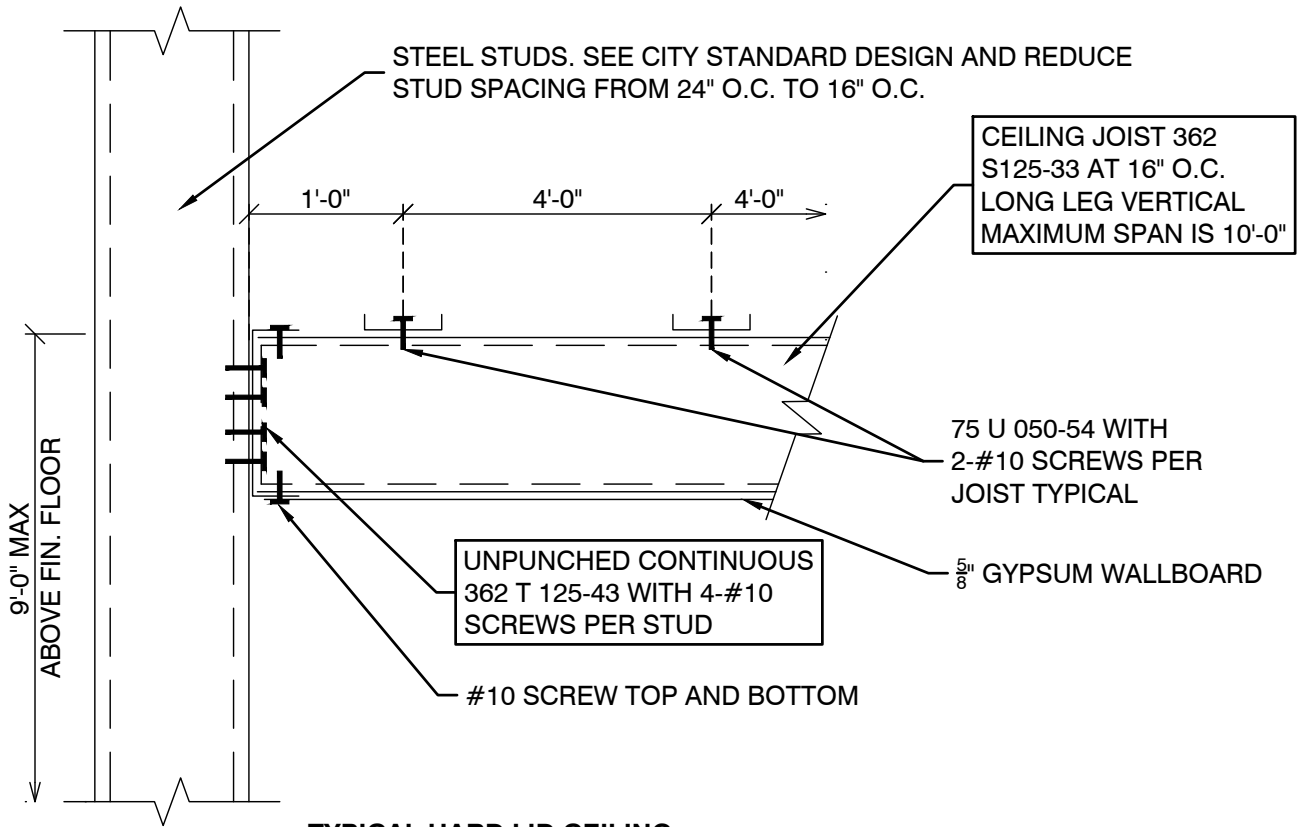
DRAWN BY: NM

SHEET: 2 OF 3



JAMB DETAILS

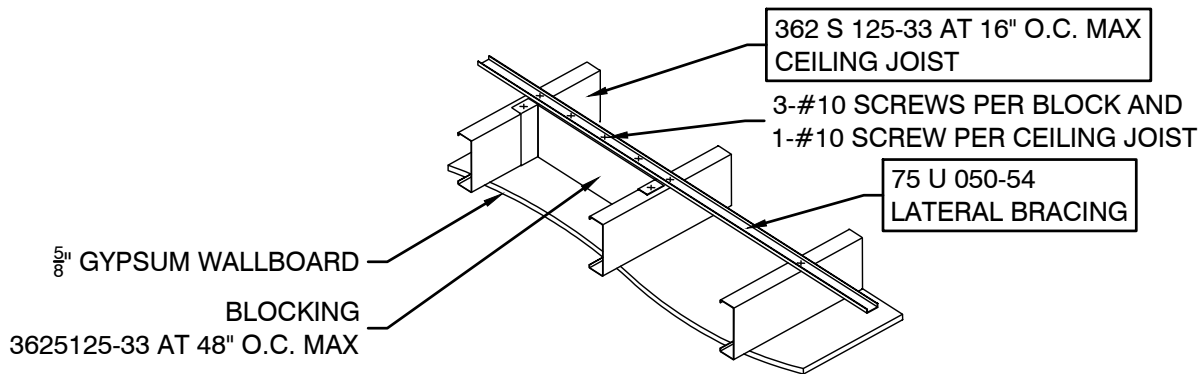
**TYPICAL DRAWING
CITY OF LAS VEGAS**



**TYPICAL HARD LID CEILING
(COLD FORMED STEEL)**

NOTES:

- ① IF WEB PUNCHOUTS OCCUR NEAR SUPPORTS, MEMBERS MUST BE CHECKED FOR REDUCED SHEAR AND WEB CRIPPLING IN ACCORDANCE WITH THE AISI S100 I.E. THIS DETAIL IS NOT ALLOWED TO BE USED WITHOUT INDEPENDENT DESIGN/EVALUATION.
- ② CEILING ASSEMBLY IS DESIGNED AS A NON-LOAD BEARING ASSEMBLY I.E. IT IS ONLY DESIGNED TO SUPPORT ITS OWN ASSEMBLY WEIGHT
- ③ WEB CRIPPLING IS BASED ON 1" OF BEARING AT END OF SUPPORTS



CEILING (NTS.)

BUILDING & SAFETY

PLANS EXAMINATION DIVISION

DATE: 10/12/2022

DRAWN BY: NM

SHEET: 3 OF 3

**TYPICAL HARD LID CEILING
(COLD FORMED STEEL)**

**TYPICAL DRAWING
CITY OF LAS VEGAS**

