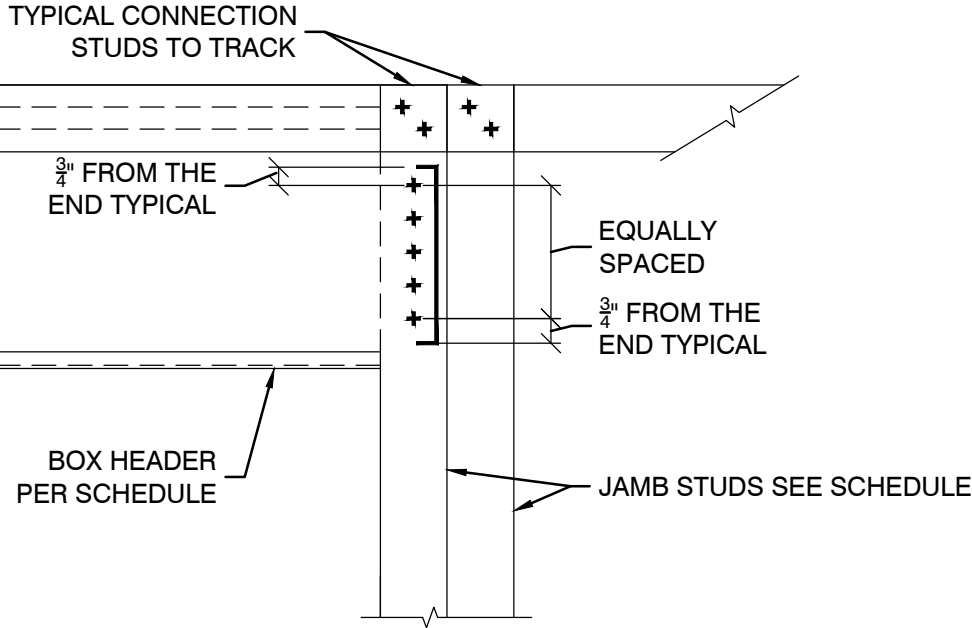


BOX HEADER (NTS.)

OPENING HEADER AND JAMB SCHEDULE FOR INTERIOR NON-LOAD BEARING WALLS/PARTITIONS ONLY			
OPENING SIZE	BOX HEADER	NUMBER OF SCREWS	NUMBER OF JAMB STUDS INCLUDING CRIPPLE
UP TO 6'-0"	2-600 S162-S4	7-#10	3



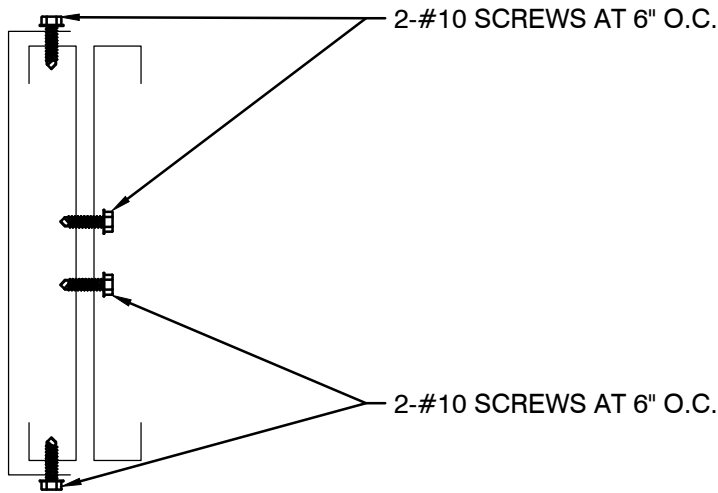
BOX HEADER SUPPORT (NTS.)

C:\USERS\JELMAN\ONEDRIVE - CITY OF LAS VEGAS\DESKTOP\BS FOLDER\STEEL BOX HEADER.DWG 9/28/22

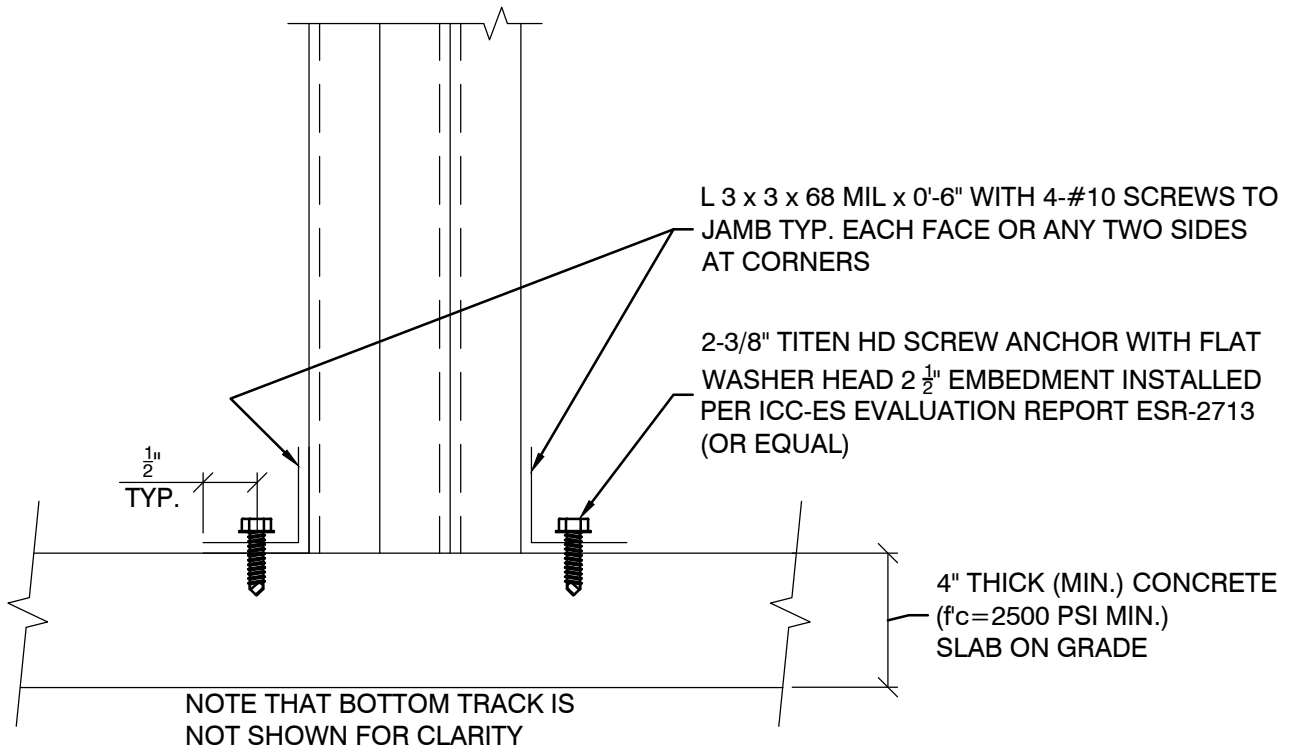
BUILDING & SAFETY
 PLANS EXAMINATION DIVISION
 DATE: 09/22/2022 DRAWN BY: NM
 SHEET: 1 OF 2

**BOX HEADER AND SUPPORT
 (COLD FORMED STEEL)**
**TYPICAL DRAWING
 CITY OF LAS VEGAS**





STUD BOX JAMB (NTS.)



TYPICAL JAMB BASE CONNECTION (NTS.)

C:\USERS\JED\MANION\DRIVE - CITY OF LAS VEGAS\DESKTOP\BS FOLDER\STEEL BOX HEADER.DWG 9/27/22

BUILDING & SAFETY

PLANS EXAMINATION DIVISION

DATE: 09/22/2022

DRAWN BY: NM

SHEET: 2 OF 2



JAMB DETAILS

**TYPICAL DRAWING
CITY OF LAS VEGAS**