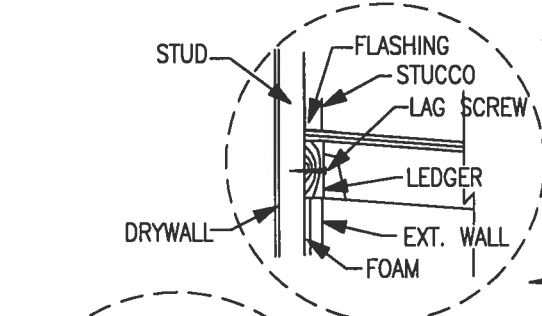
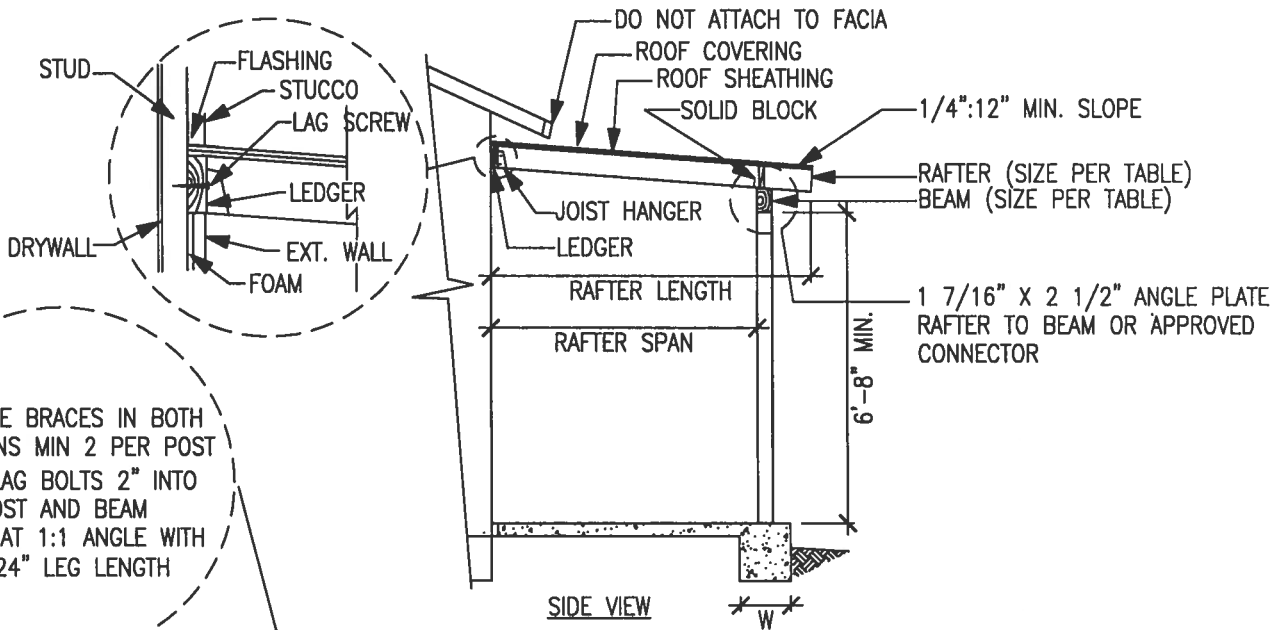


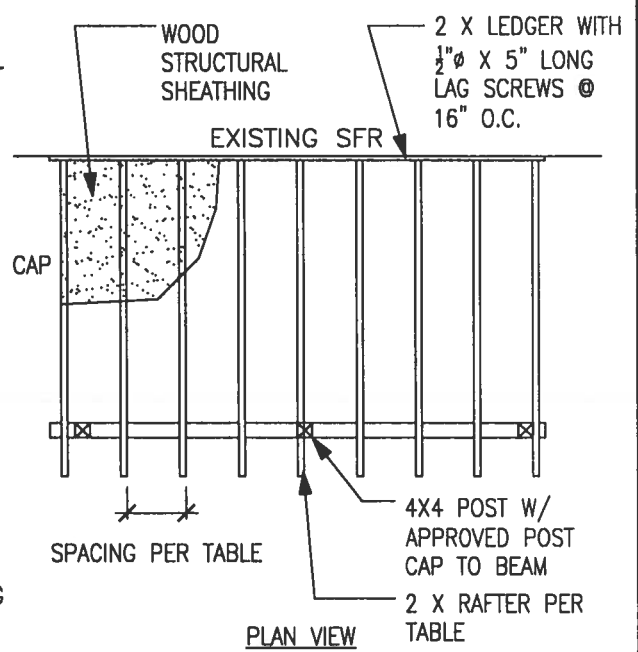
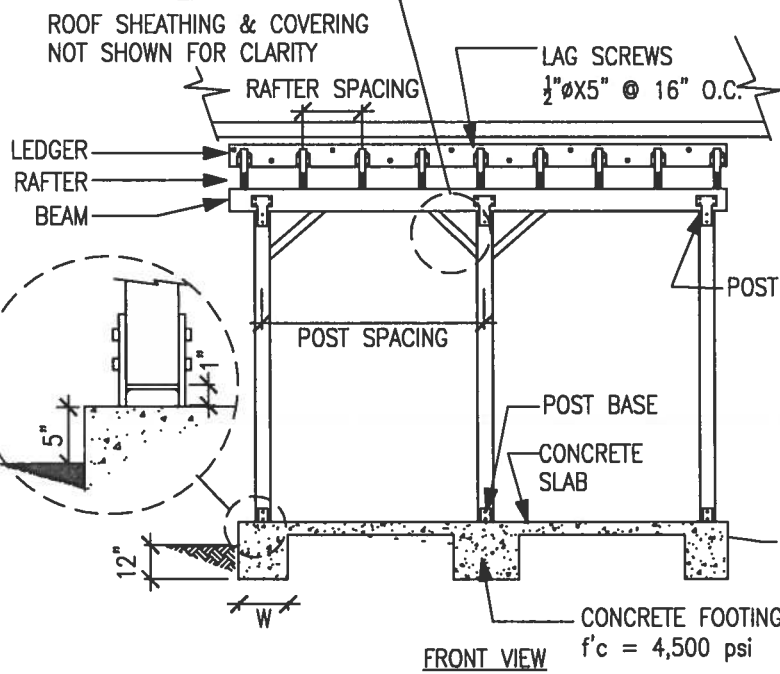
SFR-COVERED PATIO HEAVY ROOFING MATERIAL

<p>Clark County Dept. of Building & Fire Prevention 4701 W Russell Rd Las Vegas, NV 89118 (702) 455-3000</p>	<p>Boulder City Building Department 401 California Avenue Boulder City, NV 89005 (702) 293-9282</p>	<p>Henderson Bldg & Fire Safety Dept. 240 Water Street Henderson, NV 89015 (702) 267-3650</p>	<p>Las Vegas Building & Safety Dept. 333 N. Rancho Drive Las Vegas, NV 89106 (702) 229-6251</p>
---	--	--	--

**THIS HANDOUT IS NOT INTENDED FOR THE CONSTRUCTION OF DECKS, BALCONIES, OR ROOM ADDITIONS
TILE 2 1/2" @ 12"



4X KNEE BRACES IN BOTH DIRECTIONS MIN 2 PER POST
MIN 1/2" LAG BOLTS 2" INTO POST AND BEAM
INSTALL AT 1:1 ANGLE WITH MIN 24" LEG LENGTH



<p>Mesquite Building Department 10 East Mesquite Blvd. Mesquite, NV 89027 (702) 346-2835</p>	<p>North Las Vegas Building Department 2250 Las Vegas Blvd. N N. Las Vegas, NV 89030 (702) 633-1577</p>	<p>Pahrump Building & Fire Safet Dept. 250 N Hwy 160 Suite #3 Pahrump, NV 89060 (775) 751-3373</p>	
---	--	---	--

SOUTHERN NEVADA BUILDING OFFICIALS
REGIONAL STANDARDS

B-103-2

7-7-14

PG. 2 OF 2

SFR-COVERED PATIO HEAVY ROOFING MATERIAL

Clark County
Dept. of Building & Fire Prevention
4701 W Russell Rd
Las Vegas, NV 89118
(702) 455-3000

Boulder City
Building Department
401 California Avenue
Boulder City, NV 89005
(702) 293-9282

Henderson
Bldg & Fire Safety Dept.
240 Water Street
Henderson, NV 89015
(702) 267-3650

Las Vegas
Building & Safety Dept.
333 N. Rancho Drive
Las Vegas, NV 89106
(702) 229-6251

RAFTER SPAN USING DOUGLAS FIR #2 GRADING AGENCY WWPA, WCLIB		
SIZE	SPACING	MAX SPAN
2X4	12"	8'-7"
	16"	7'-10"
	24"	6'-10"
2X6	12"	13'-6"
	16"	12'-3"
	24"	10'-2"
2X8	12"	17'-10"
	16"	15'-9"
	24"	12'-10"
2X10	12"	22'-3"
	16"	19'-3"
	24"	15'-9"

BEAM SIZE USING DOUGLAS FIR #2 GRADING AGENCY WWPA, WCLIB RAFTER SPAN WITH 1'-6" OVERHANG								
POST SPACING	8'	9'	10'	11'	12'	13'	14'	15'
8'		4X6						
9'								
10'			4X8					
11'								
12'				4X10				
13'								
14'			4X12					
15'						4X14		

SQUARE FOOTING SIZE (W X W) IN INCHES

POST SPACING	RAFTER SPAN WITH 1-6" OVERHANG							
	8	9	10	11	12	13	14	15
8	18	18	18	20	20	20	20	22
9	18	18	20	20	20	22	22	22
10	18	20	20	22	22	22	24	24
11	20	20	22	22	22	24	24	24
12	20	22	22	24	24	24	26	26
13	22	22	24	24	24	26	26	28
14	22	24	24	24	26	26	28	28
15	24	24	24	26	26	28	28	28

APPLICANT _____
 JOB ADDRESS _____
 PATIO DIMENSION _____ X _____
 RAFTER SIZE _____ X _____ SPACING _____ O.C. SPAN _____
 LEDGER SIZE _____ X _____
 POST SIZE _____ X _____ SPACING _____ O.C.
 BEAM SIZE _____ X _____

DESIGN CRITERIA
 LIVE LOAD 20 PSF
 DEAD LOAD 20 PSF
 LIVE LOAD DEFLECTION L/360
 ALLOWABLE SOIL BEARING 1000 PSF

ROOF MATERIAL _____
 ROOF PITCH _____
 ROOF SHEATHING _____

Mesquite
Building Department
10 East Mesquite Blvd.
Mesquite, NV 89027
(702) 346-2835

North Las Vegas
Building Department
2250 Las Vegas Blvd. N
N. Las Vegas, NV 89030
(702) 633-1577

Pahrump
Building & Fire Safet Dept.
250 N Hwy 160 Suite #3
Pahrump, NV 89060
(775) 751-3373